

Setting Maximum Pressure Range

Press and hold down the **+** key for 10 seconds (until you hear a long beep.) Use the **▼** and **▲** keys to set the maximum pressure for your pressure sender, either in PSI or Bars. Once the maximum pressure is showing on the display, press the **+** key for 1/2 second to save this value into memory.

Page 12

Installation

Before starting the installation, please read this entire section first. Be sure to install the bulkhead gasket before you install the instrument. Finger tighten the screws that mount the instrument bracket - do not use tools.

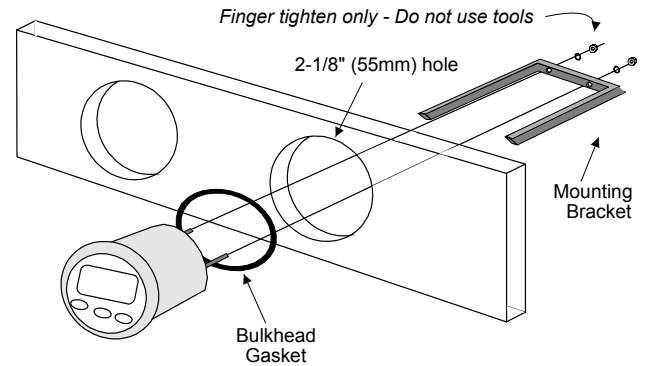


Figure 1

Page 5

Displaying Pressure

Press the **+** key to display pressure (PSI or Bars). Press the **▲** key to display pressure in percent (0 to 100%).

Page 10

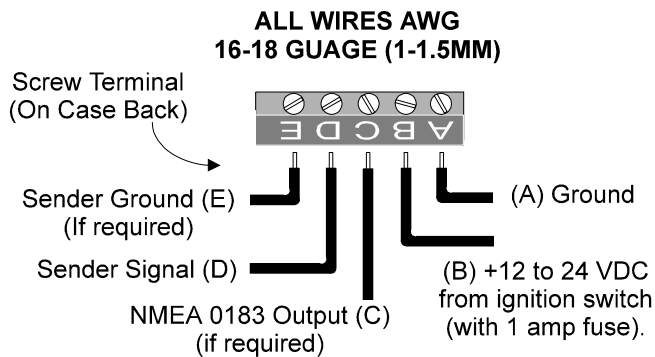
driver to make the connections to the screw terminal on the instrument case back as shown in figure 2.

- Carefully check all your wiring against those shown in figure 2. If everything is wired correctly you can mount the PR60 in the instrument hole. Be sure the bulkhead gasket is in place and use only finger tension to tighten the bracket hold-down nuts *Do not overtighten the bracket or you may damage the case - do not use tools to tighten the nuts.*

Page 7

Mounting and Wiring

- Drill a 2-1/8" (55mm) mounting hole where you desire to mount the instrument (Figure 1).
- Bring the sender wires, ground, and power lines out of the mounting hole and use a small flat screw-



Page 6

Figure 2

Selecting Sender Type

Press and hold down both the ▼ and "+" keys for 10 seconds (until you hear a long beep.) Use the ▲ and ▼ keys to select the correct sender from the list below. Once the correct sender has been chosen, press the "+" key for 1/2 second to save your entry.

U- 1	0-30 Ohm	U-10	90-0 Ohm
U- 2	0-70 Ohm	U-11	73-10 Ohm
U- 3	0-90 Ohm	U-12	180-10 Ohm
U- 4	10-73 Ohm	U-13	240-33 Ohm
U- 5	10-180 Ohm	U-14	250-40 Ohm
U- 6	33-240 Ohm	U-15	0-5 Volts
U- 7	40-250 Ohm	U-16	5-0 Volts
U- 8	30-0 Ohm	U-17	4-20 mA
U- 9	70-0 Ohm		

Page 11

Operation

Key Functions

The ▼, +, ▲ keys are used to select backlight levels, display pressure (PSI, Bars or percent), set the low/high level alarms, select sender type and set the maximum sender pressure. After changes are made, the new information is automatically saved to memory.

Backlight Intensity

Press the + key for 1/2 second to adjust the backlight level for night-time viewing. Each time you press the "+" key for 1/2 second, the backlight level will change: 1, 2, 3, 4, OFF, 1, 2, ... etc.

Page 8

Setting Low/High Level Alarms

While viewing pressure, press and hold the ▼ or ▲ key for ten (10) seconds to view/set the Low or High pressure alarms. You will hear a long beep and the alarm value is displayed. Press the ▲ and ▼ keys to set the desired alarm limit (000.0 to 6553 PSI or Bars). Press the "+" key for 1/2 second to save your entry to the non-volatile memory.

Alarms ON/Off

Press the ▲ or ▼ key for 1/2 second to "arm" or "disarm" the level alarms. The display will flash "On" or "OFF" briefly to show you the state of the alarms. You should leave the alarms armed at all times and only disarm it to silence the alarm buzzer.

Figure 1

Page 9